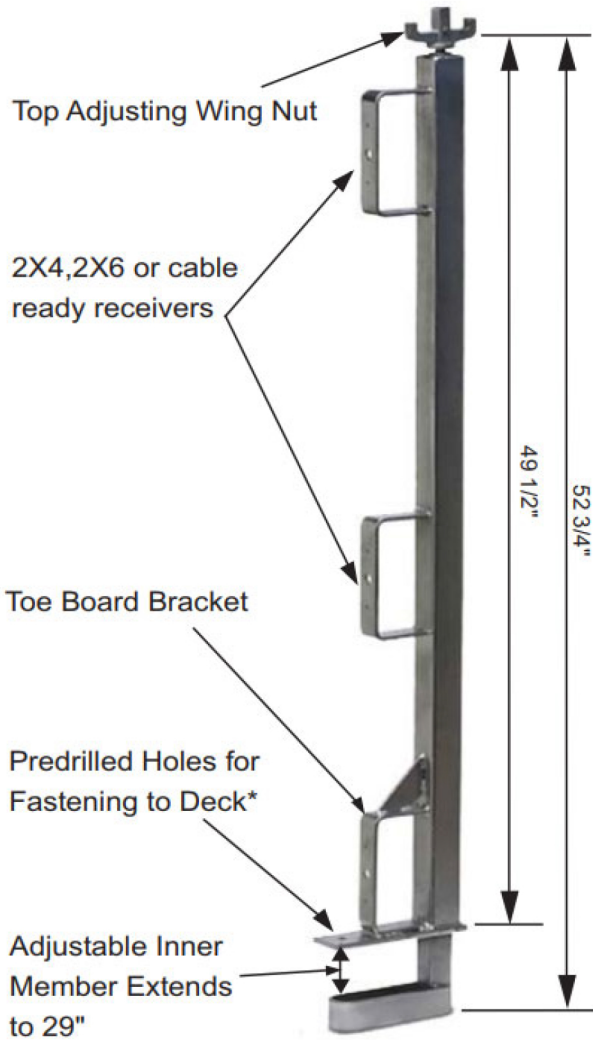


Heavy Duty Slab Grabber

Technical Product Data Sheet



Description

OCM, Inc's Heavy Duty Slab Grabber are used as guardrails that are fast, easy, and affordable. Made from high-strength galvanized steel; capable of withstanding at least 200 lbs. The Heavy Duty Slab Grabber meets FEDERAL OSHA 1926 502(B)(3) requirements.

Features

- Quick adjust handle and rugged steel construction for fast attachment and construction for fast attachment and a positive grip on the slab
- Bracket preinstalled to mount toe board when required or when surface slope is when required or when surface slope is more than 4/12 (vertical/horizontal) and if there is a risk of any type of work material to fall to a lower level
- Adjustable for use on up to 29" slabs
- Maximum spacing of 8 ft per OSHA spec
- Height from top of slab to top of rail is 46"
- Meets FEDERAL OSHA 1926 502(B)(3) requirements.
- Capable of withstanding at least 200 lbs applied within 2" of the top edge, in any downward direction, at any point along the top edge.

OCM Part No.	Description	Weight lbs	Skid
OCM-GRP-HD	Guard Rail Post Bracket - Heavy Duty Galvanized	26.00	200

***WARNING: Rail Post must be secured to deck with proper fasteners to ensure safety.**

***WARNING: Use of equipment for unintended applications could result in serious injury or death.**

NEVER make any connections to guardrail system.

***WARNING: NEVER lean or climb on guardrail systems.**

Comments:

OCM Limited Warranty

All recommendations, statements and technical data contained herein are based on tests we believe to be reliable and correct; however, accuracy and completeness of said tests are not guaranteed and are not provided as an express or implied warranty. User shall rely on his or her own information and tests to determine suitability of the product for the intended use and user assumes all risk and liability resulting from his or her use of the product. In the event that a product supplied by OCM, Inc. proves to not meet the OCM, Inc. published dimensional or other specifications of the product, an OCM, Inc. representative will review such product and circumstances to determine whether a replacement is warranted. OCM, Inc.'s and its manufacturer's sole responsibility shall be to replace, at OCM, Inc.'s sole discretion that product or portion of the product which OCM, Inc. deems to be defective, within six months of the delivery of the product. OCM, Inc. disclaims all other warranties or conditions, whether express or implied, including an implied warranties of merchantability or fitness for any particular purpose. In no event shall OCM, Inc. or its parent or affiliated companies be liable for delay caused by defects, for loss of use, or for any indirect, incidental, special, or consequential damages or for any charges or expenses of any nature whatsoever. In no event shall OCM, Inc.'s liability exceed the purchase price paid for the particular affect OCM, Inc. products.

OCM, Inc.

1120 E. Peterson Road, Grayslake, IL 60030
Toll Free: 866-457-5710 • Phone: 847-462-4258 • FAX: 847-462-4259
sales@ocm-inc.com

Please do not place orders with this email address, it is for informational purposes only.