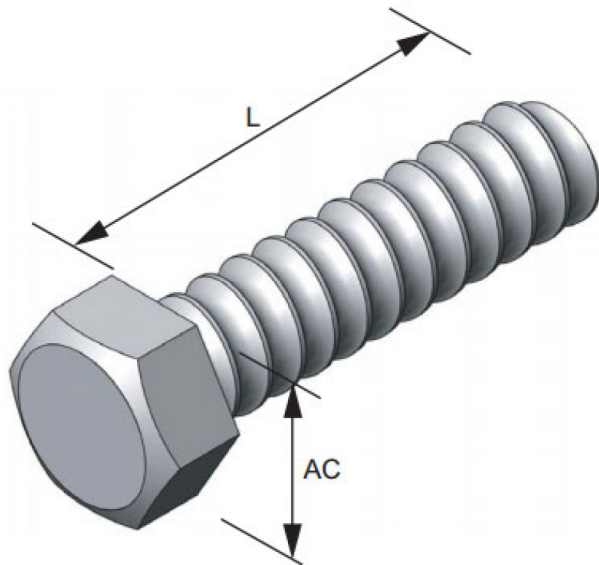


Coil Bolts

Technical Product Data Sheet



Description

OCM Coil Bolts are made from high strength steel, and are used with different types of coil thread nuts and inserts in concrete formwork, bridge deck forming, or precast concrete applications.

Features

- Standard sizes of 1/2" and 3/4" Diameter up to 6" length are readily available
- Coil Thread is self cleaning and ideal for dirty jobsites or use in concrete formwork
- Special sizes and lengths can be fabricated upon request

OCM Part No.	D Size	L Length	AC Across Flats	Carton Qty	Weight per 100pcs lbs	Safe Working Load lbs
50A150CBH0P	1/2"	1-1/2"	3/4"	500	10.6	4,125
50A200CBH0P	1/2"	2"	3/4"	500	12.8	4,125
50A250CBH0P	1/2"	2-1/2"	3/4"	400	15.1	4,125
50A300CBH0P	1/2"	3"	3/4"	300	17.1	4,125
50A350CBH0P	1/2"	3-1/2"	3/4"	250	19.4	4,125
50A400CBH0P	1/2"	4"	3/4"	250	21.6	4,125
50A500CBH0P	1/2"	5"	3/4"	200	26.3	4,125
50A600CBH0P	1/2"	6"	3/4"	150	30.7	4,125
75S200CBH0P	3/4"	2"	1-1/8"	150	32.8	9,000
75S250CBH0P	3/4"	2-1/2"	1-1/8"	150	39.4	9,000
75S300CBH0P	3/4"	3"	1-1/8"	100	42.7	9,000
75S350CBH0P	3/4"	3-1/2"	1-1/8"	100	47.8	9,000
75S400CBH0P	3/4"	4"	1-1/8"	100	52.5	9,000
75S500CBH0P	3/4"	5"	1-1/8"	75	62.5	9,000
75S600CBH0P	3/4"	6"	1-1/8"	75	72.4	9,000
62S200CBH0P	5/8"	2"	1"	100	21.8	7,500
62S400CBH0P	5/8"	4"	1"	100	35.4	7,500

Comments: SWL provides a safety factor of approximately 2 to 1.

OCM Limited Warranty

All recommendations, statements and technical data contained herein are based on tests we believe to be reliable and correct; however, accuracy and completeness of said tests are not guaranteed and are not provided as an express or implied warranty. User shall rely on his or her own information and tests to determine suitability of the product for the intended use and user assumes all risk and liability resulting from his or her use of the product. In the event that a product supplied by OCM, Inc. proves to not meet the OCM, Inc. published dimensional or other specifications of the product, an OCM, Inc. representative will review such product and circumstances to determine whether a replacement is warranted. OCM, Inc.'s and its manufacturer's sole responsibility shall be to replace, at OCM, Inc.'s sole discretion that product or portion of the product which OCM, Inc. deems to be defective, within six months of the delivery of the product. OCM, Inc. disclaims all other warranties or conditions, whether express or implied, including an implied warranties of merchantability or fitness for any particular purpose. In no event shall OCM, Inc. or its parent or affiliated companies be liable for delay caused by defects, for loss of use, or for any indirect, incidental, special, or consequential damages or for any charges or expenses of any nature whatsoever. In no event shall OCM, Inc.'s liability exceed the purchase price paid for the particular affect OCM, Inc. products.

OCM, Inc.

1120 E. Peterson Road, Grayslake, IL 60030

Toll Free: 866-457-5710 • Phone: 847-462-4258 • FAX: 847-462-4259
sales@ocm-inc.com

Please do not place orders with this email address, it is for informational purposes only.