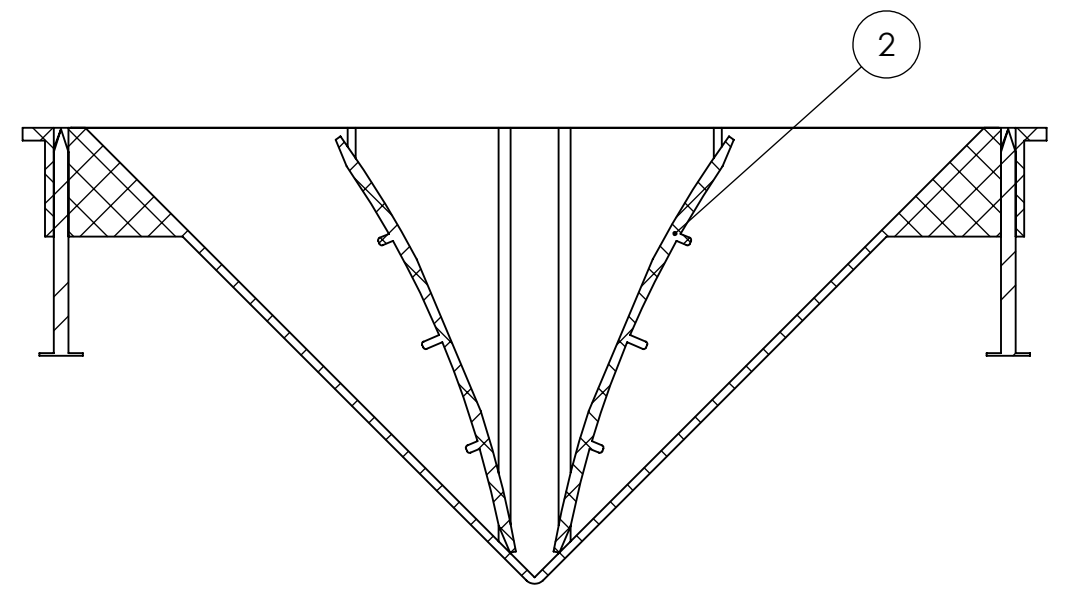


4

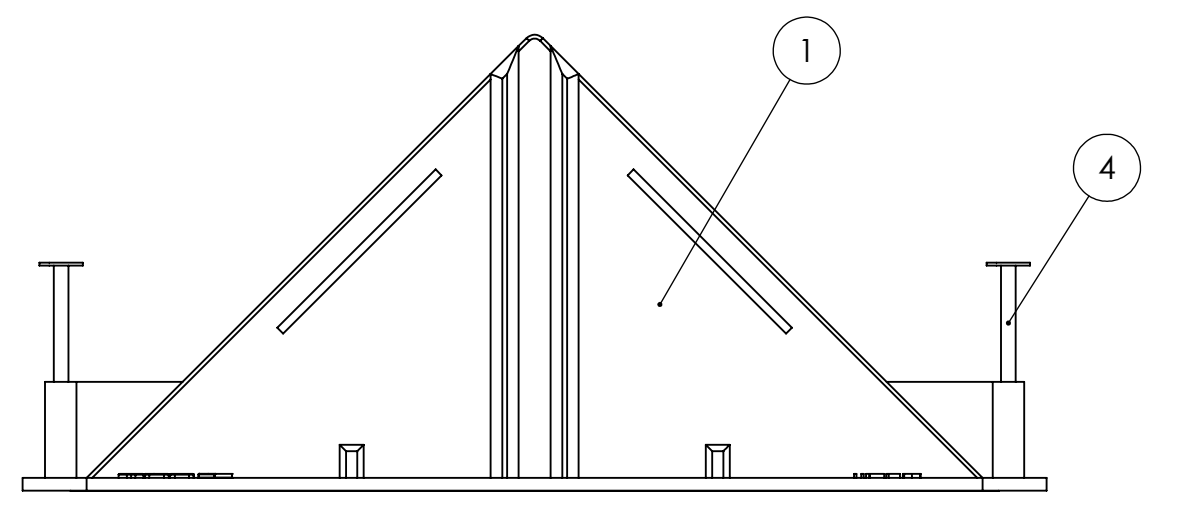
3

2

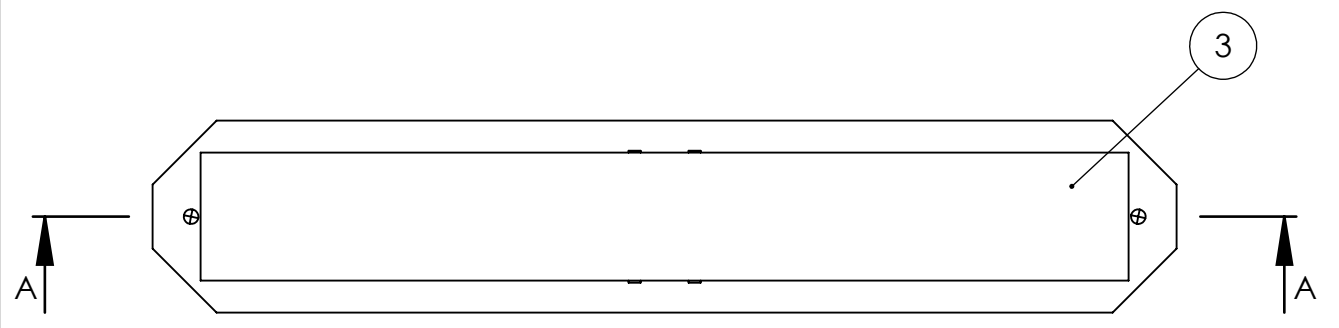
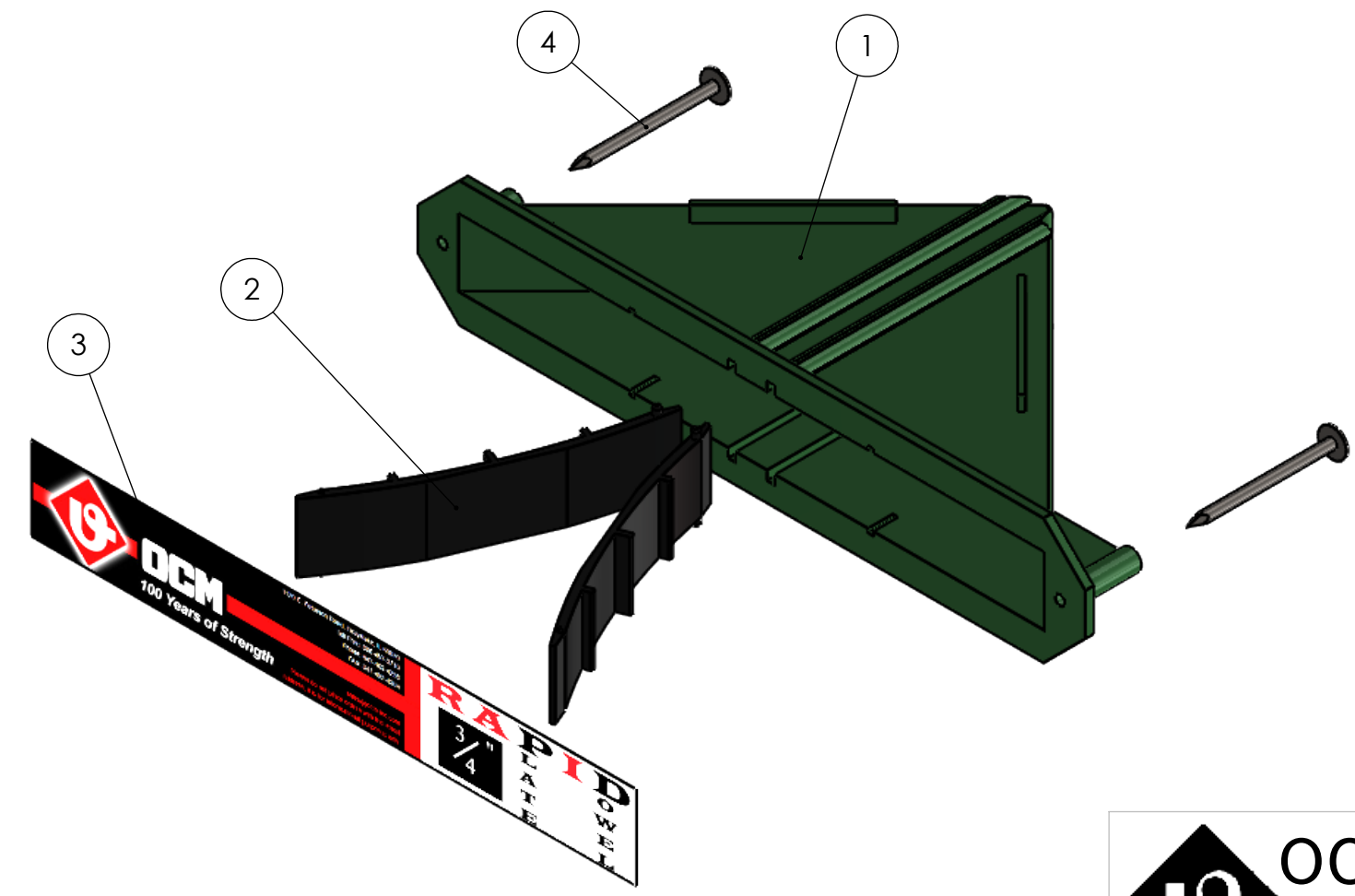
1



SECTION A-A



ITEM NO.	PART NUMBER	DESCRIPTION	QTY.
1	RPD-H750	3/4" RPD PLASTIC HOUSING	1
2	RPD-G750	3/4" RPD PLASTIC GUIDE	2
3	RPD-L750	3/4" RPD STICKER	1
4	RPD-N5D	1-3/4" STAINLESS STEEL CLOUT NAIL	2



**OCM, INC.**  
 100 Years of Strength  
 Toll Free: 866-457-5710  
 1120 E. Peterson Road, Grayslake, IL 60030  
**OCM Manufacturing**  
 250 Hansen Access Rd. King of Prussia, PA 19406

UNLESS OTHERWISE SPECIFIED:		NAME	DATE
DIMENSIONS ARE IN INCHES		DRAWN	3P4 3/6/2025
TOLERANCES:		CHECKED	
FRACTIONAL ±		ENG APPR.	
ANGULAR: MACH ± BEND ±		MFG APPR.	
TWO PLACE DECIMAL ±		Q.A.	
THREE PLACE DECIMAL ±		COMMENTS:	
INTERPRET GEOMETRIC TOLERANCING PER:			
MATERIAL			
FINISH			
DO NOT SCALE DRAWING			

**PROPRIETARY AND CONFIDENTIAL**  
 THE INFORMATION CONTAINED IN THIS DRAWING IS THE SOLE PROPERTY OF OCM INC. ANY REPRODUCTION IN PART OR AS A WHOLE WITHOUT THE WRITTEN PERMISSION OF OCM INC. IS PROHIBITED.

TITLE: 3/4" Rapid Plate Dowel Assembly without Plate Dowel		
SIZE	PART NO. RPD-A750	REV
<b>B</b>	DWG. NO. D-RPD-A750	
SCALE: 1:1.5 WEIGHT: 0.14		SHEET 1 OF 4

4

3

2

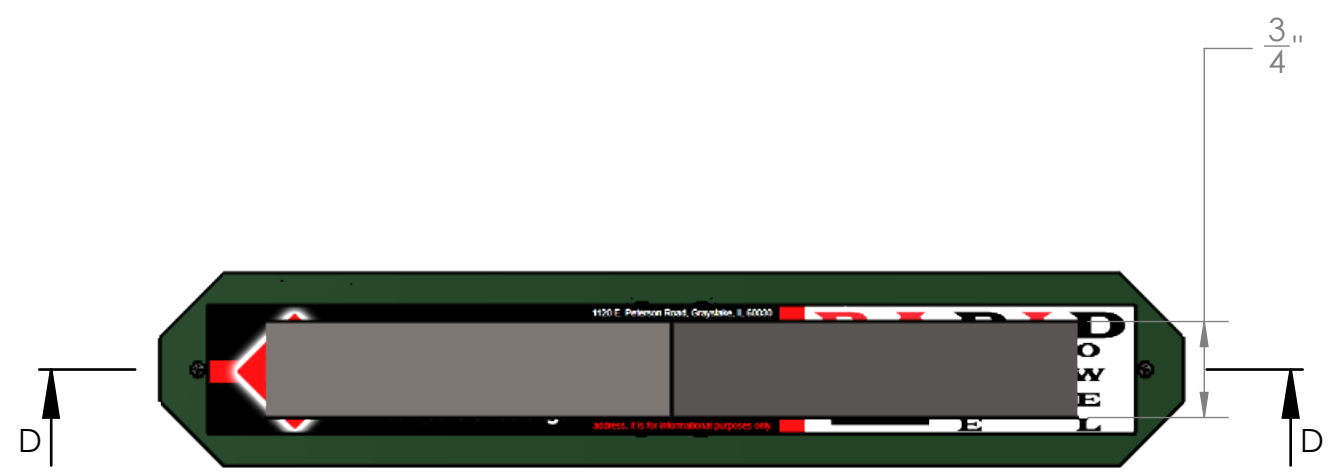
1

4

3

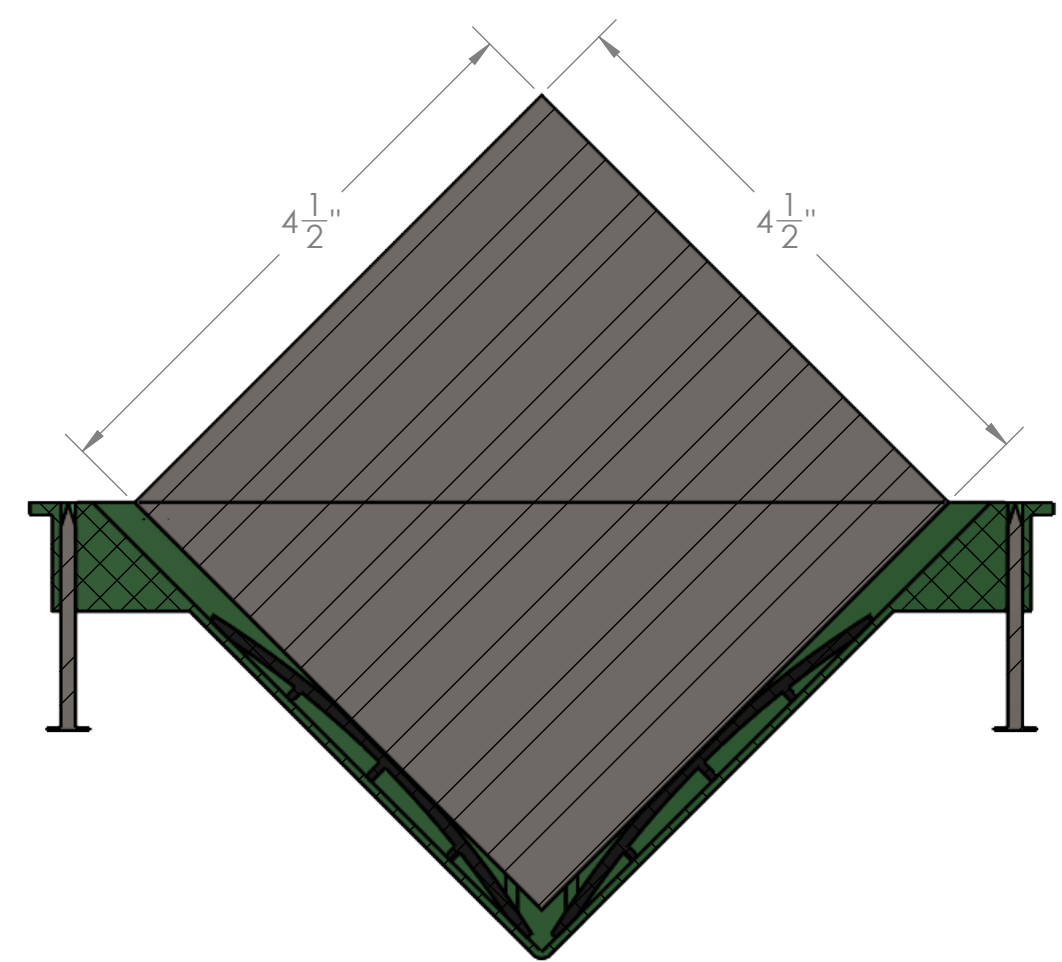
2

1



B

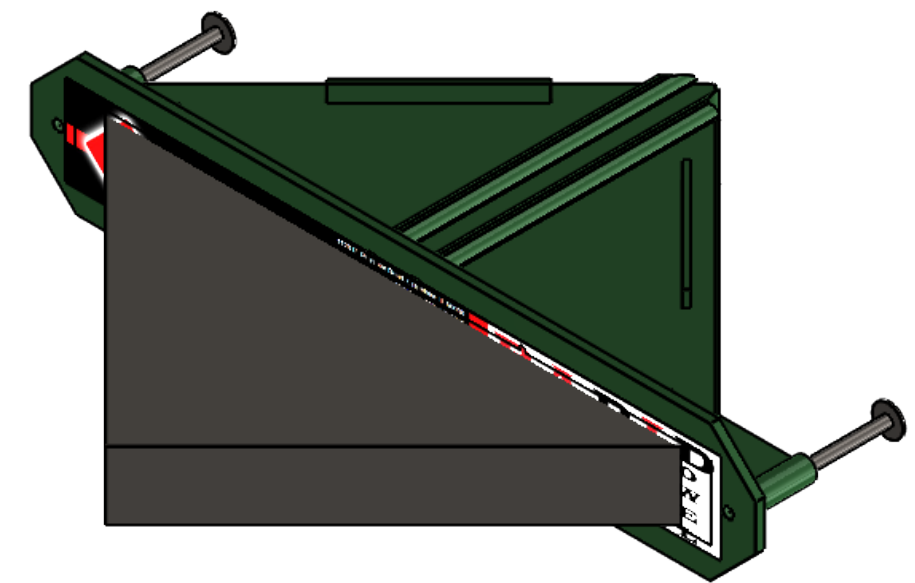
B



A

A

SECTION D-D



**OCM, INC.**  
 100 Years of Strength  
 Toll Free: 866-457-5710  
 1120 E. Peterson Road, Grayslake, IL 60030

**OCM Manufacturing**

250 Hansen Access Rd. King of Prussia, PA 19406

TITLE:  
 **$\frac{3}{4}$ " Rapid Plate Dowel Assembly  
 with Plate Dowel Inserted**

SIZE	PART NO. RPD-A750	REV
<b>B</b>	DWG. NO. D-RPD-A750	

SCALE: 1:1.5 WEIGHT: 4.45 SHEET 4 OF 4

UNLESS OTHERWISE SPECIFIED:  
 DIMENSIONS ARE IN INCHES  
 TOLERANCES:  
 FRACTIONAL  $\pm$   
 ANGULAR: MACH  $\pm$  BEND  $\pm$   
 TWO PLACE DECIMAL  $\pm$   
 THREE PLACE DECIMAL  $\pm$

INTERPRET GEOMETRIC  
 TOLERANCING PER:  
 MATERIAL

FINISH

DO NOT SCALE DRAWING

**PROPRIETARY AND CONFIDENTIAL**  
 THE INFORMATION CONTAINED IN THIS  
 DRAWING IS THE SOLE PROPERTY OF  
 OCM INC. ANY  
 REPRODUCTION IN PART OR AS A WHOLE  
 WITHOUT THE WRITTEN PERMISSION OF  
 OCM INC. IS  
 PROHIBITED.

4

3

2

1