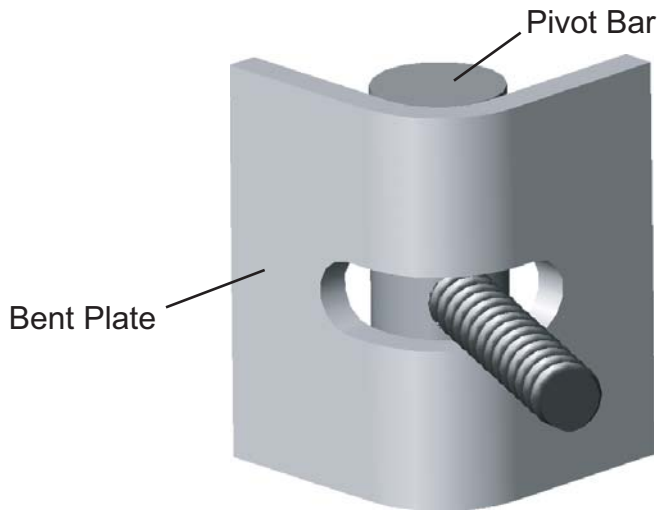


## Weld Angle Bracket - Euro Thread



To Order  
(Call, Fax or e-mail this form)

1. Part No. : \_\_\_\_\_
2. Coil Rod Size : \_\_\_\_\_
5. Quantity : \_\_\_\_\_

Phone : 1-866-457-5710  
 Fax : 1-847-541-9338  
 e-mail : sales@ocm-inc.com

	OCM Part No.	D Size	Weight per each lbs	Safe Working Load lbs
<b>Pivot Bar</b>	62APBP	5/8" or 15mm	2.15	22,400
	87APBP	7/8" or 20mm	2.10	39,200
<b>Bent Plate</b>	AWB24-1	5/8" or 15mm	1.90	9,000
	AWB24-1	7/8" or 20mm	1.90	18,000