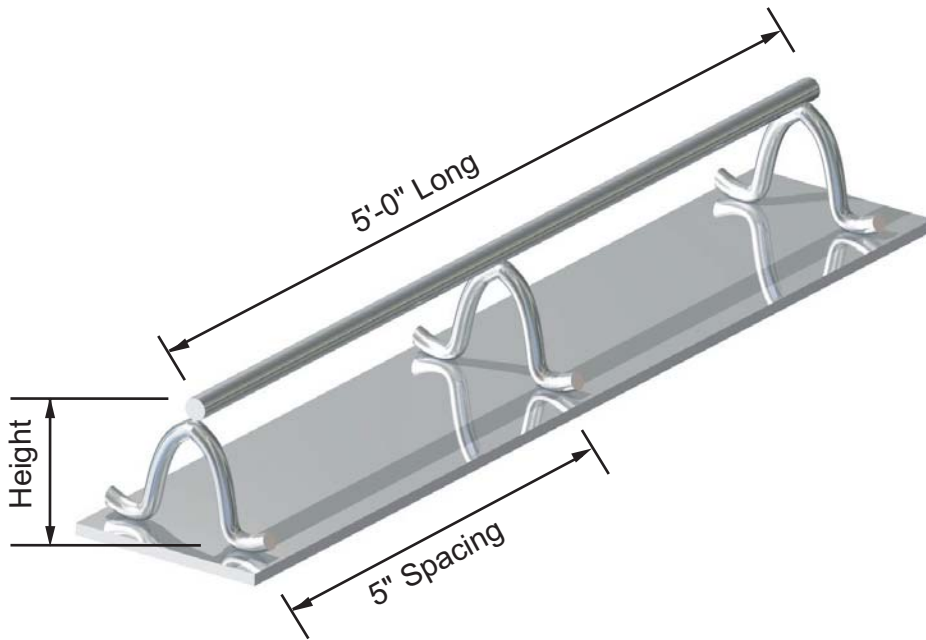


SLAB BOLSTER With SAND PLATE



To Order
(Call, Fax or e-mail this form)

1. Part No. : _____

2. Quantity : _____

Phone : 1-866-457-5710

Fax : 1-847-541-9338

e-mail : sales@ocm-inc.com

OCM Part No.	Height	Weight lbs	Bundle Qty If
SB200-PP	2"	0.27	100
SB300-PP	3"	0.35	