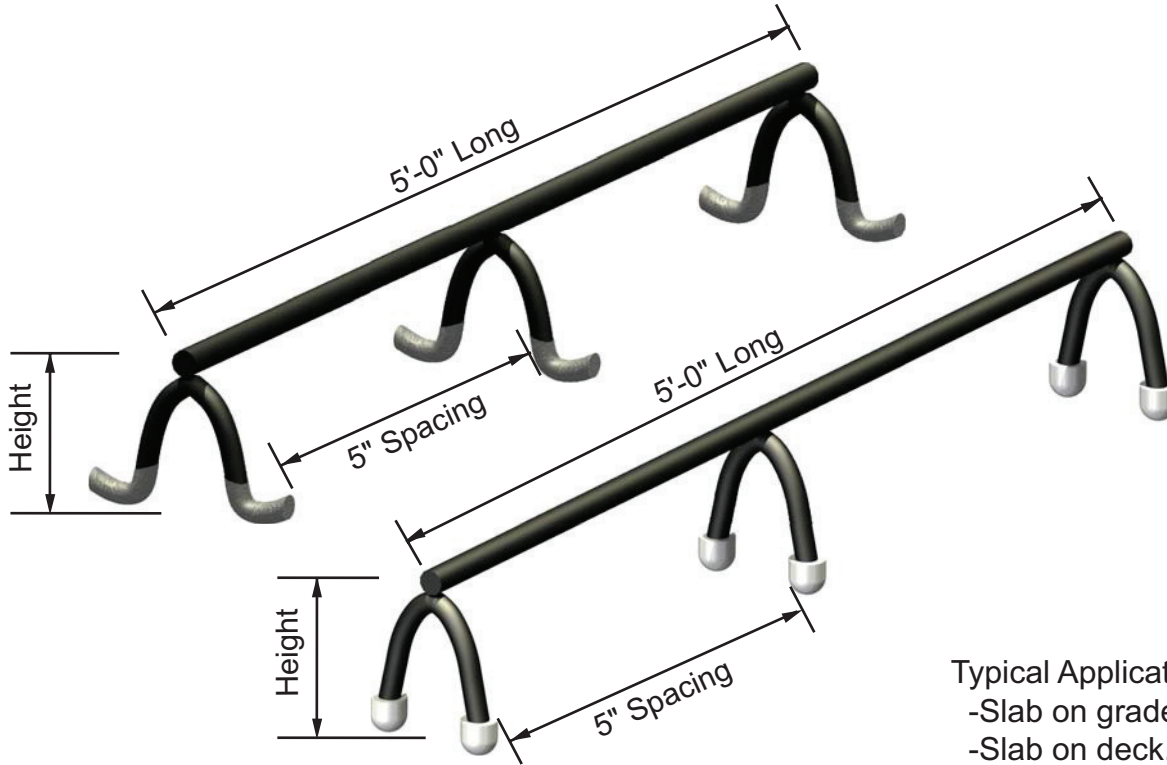


SLAB BOLSTER TIPPED/DIPPED



Typical Applications include:

- Slab on grade.
- Slab on deck.
- Supporting the lower mat of reinforcing steel in concrete.

Finishes include: Plain Tipped/Dipped, Mill Galvanized Tipped, Epoxy Dipped

OCM Part No.	Height	Weight lbs	Bundle Qty If
SB75-PT/PD2	3/4"	0.21	100
SB100-PT/PD2	1"	0.22	
SB125-PT/PD2	1-1/4"	0.23	
SB150-PT/PD2	1-1/2"	0.23	
SB200-PT/PD2	2"	0.23	
SB225-PD2	2-1/4"	0.24	
SB250-PD2	2-1/2"	0.25	
SB300-PD2	3"	0.27	
SB325-PD2	3-1/4"	0.28	
SB350-PD2	3-1/2"	0.30	
SB400-PT	4"	0.32	

*Please inquire about domestic and CRSI requirements.