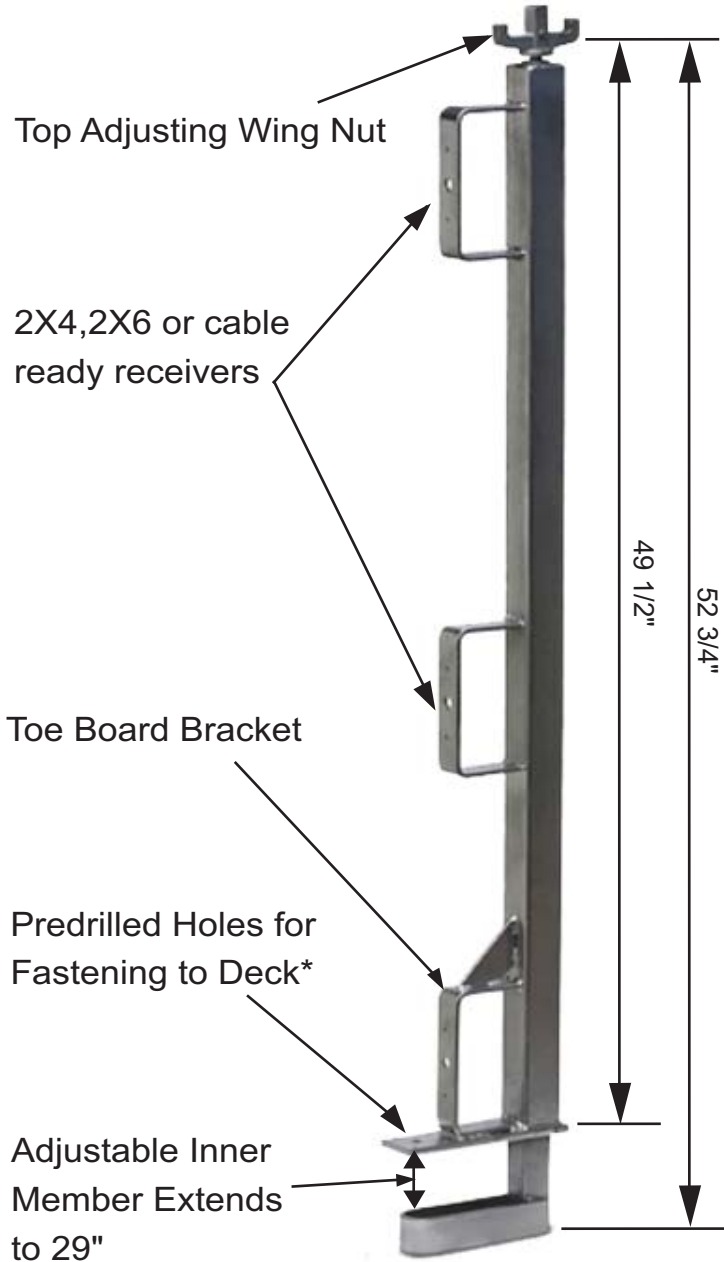


SCAFFOLDING/ SHORING PRODUCTS



Guard Rail Post Bracket

Slab Grabber - Heavy Duty



- Quick adjust handle and rugged steel construction for fast attachment and a positive grip on the slab
- Bracket preinstalled to mount toe board when required or when surface slope is more than 4/12(vertical/horizontal) and if there is a risk of any type of work material to fall to a lower level
- Adjustability for use on up to 36" slabs
- Maximum spacing of 8 ft per OSHA spec
- Height from top of slab to top of rail is 46"
- Meets all applicable OSHA and ANSI Standards

OCM Part No.	Description	Weight lbs	Skid
OCM-GRP-HD	Guard Rail Post Bracket - Heavy Duty Galvanized	26.00	200

*WARNING: Rail Post must be secured to deck with proper fasteners to ensure safety.

*WARNING: Use of equipment for unintended applications could result in serious injury or death.
NEVER make any connections to guardrail system.

*WARNING: NEVER lean or climb on guardrail systems.