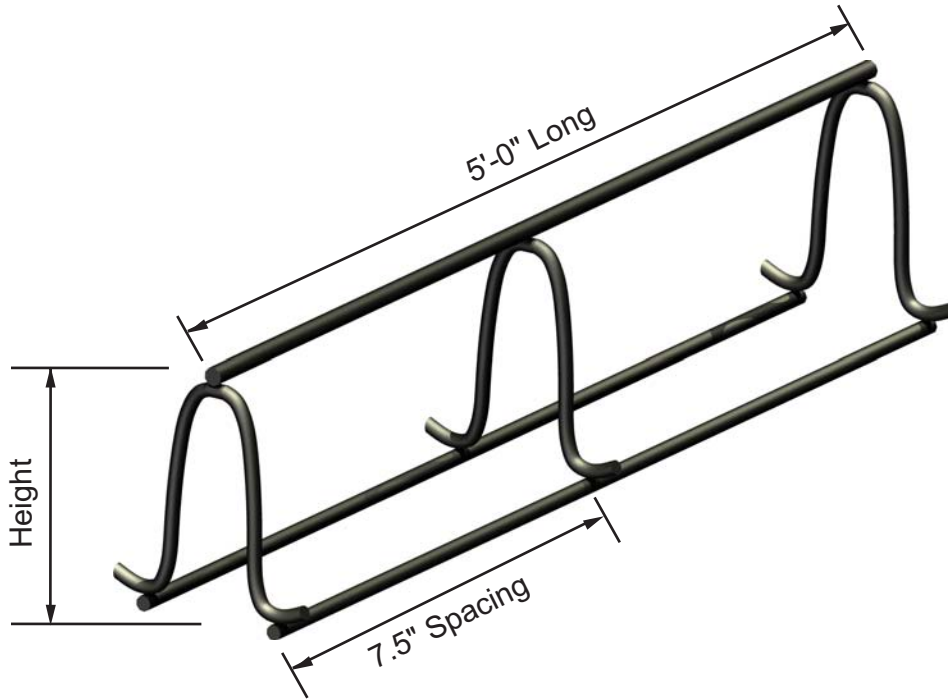


## Continuous High Chair Upper-PLAIN



To Order  
(Call, Fax or e-mail this form)

1. Part No. : \_\_\_\_\_

2. Quantity : \_\_\_\_\_

Phone : 1-866-457-5710

Fax : 1-847-541-9338

e-mail : sales@ocm-inc.com

OCM Part No.	Height	Weight lbs	Bundle Qty If
CHCU300	3"	0.62	50
CHCU350	3-1/2"	0.66	
CHCU400	4"	0.66	
CHCU450	4-1/2"	0.70	
CHCU500	5"	0.70	
CHCU600	6"	0.81	
CHCU650	6-1/2"	0.87	
CHCU700	7"	0.88	
CHCU800	8"	0.93	
CHCU850	8-1/2"	0.99	
CHCU900	9"	0.99	