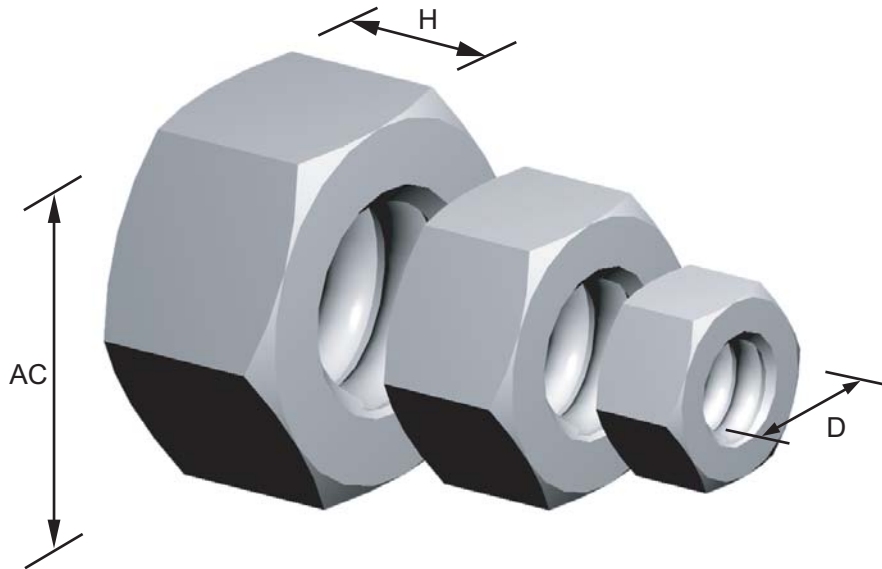


## Coil Nuts



To Order  
(Call, Fax or e-mail this form)

1. Part No. : \_\_\_\_\_
2. Size : \_\_\_\_\_
3. Quantity : \_\_\_\_\_

Phone : 1-866-457-5710  
 Fax : 1-847-541-9338  
 e-mail : sales@ocm-inc.com

OCM Part No.	D Size	H Height	AC Across Flats	Box Qty	Weight per 100pcs lbs	Safe Working Load lbs
50ACCN0P	1/2"	0.484	0.863	500	6.2	6,000
50ACCN0P-G	1/2"	0.484	0.863	500	6.2	6,000
62SFCN	5/8" Finished	0.547	0.930	500	11.4	8,000
75SFCN	3/4" Finished	0.641	1.107	500	11.4	9,000
75SCCN0P	3/4" Heavy	0.734	1.231	250	17.8	9,000
87SCCN0P	7/8"	0.859	1.416	250	27.6	16,000
100SCCN0P	1"	0.984	1.600	150	15.0	18,000
125SCCN0P	1-1/4"	1.219	2.123	70	75.2	27,000
150CCCN	1-1/2"	1.469	2.682	40	122.6	40,000

SWL provides a safety factor of approximately 2 to 1.

Two standard coil nuts of each size equal the strength of one heavy duty tall coil nut of the same size.