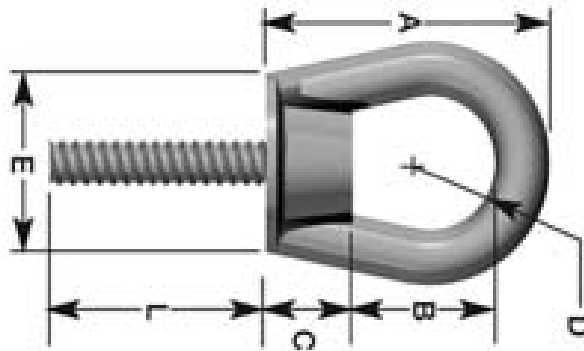


Coil Eye Bolt



OCM Part No.	Bolt Diameter in.	Safe Working Load	A in.	B in.	C in.	D in.	E in.
50CEB	1/2	2,700	3 1/4	1 5/8	1	3/4	2
75CEB	3/4	3,600	3 1/2	1 3/4	1	3/4	2
100CEB	1	7,200	5	2 3/4	1 1/4	1	3

SWL provides a safety factor of approximately 5 to 1.