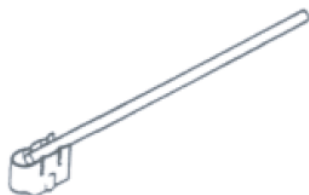


TYPE#1 90° HALF HANGER , TYPE#2 AND TYPE#3 HAUNCH HALF HANGER

BH-HFR-H:
90° Half Hanger



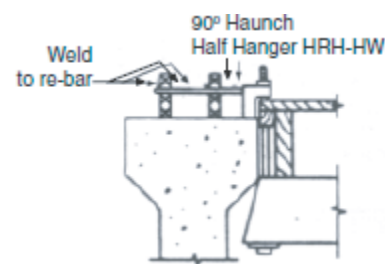
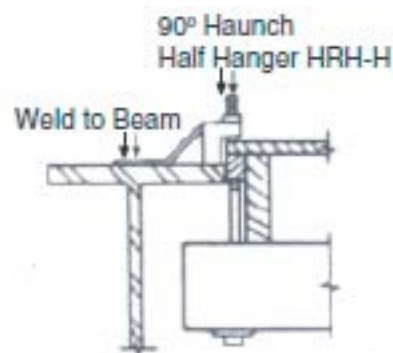
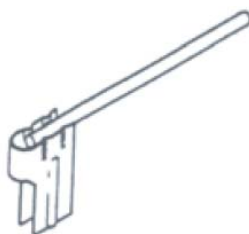
BH-HFR-HW:
90° Half Hanger (Straight Strut)



BH-HRH-H:
90° Haunch Hanger



BH-HRH-HW:
90° Haunch Hanger



Half Hangers BH-HFR-H/BH-HFR-HW and Haunch Hangers BH-HRH-H/BH-HRH-HW are manufactured with a single 1/2" 90° BH-HFR/BH-HRH end clip welded to a wire strut. These units are used where conditions prevent the use of standard double-ended hangers.

The BH-HFR-H measure 6" from center line of the coil rod to the end of the strut and has a jogged strut for attachment to the top of a steel girder.

The BH-HFR-HW/BH-HRH-HW have a straight strut and are secured to the stirrups of concrete girder. Length of the half hanger and haunch hanger is 12" from the coil rod center line to the end of the strut.

OCM Part No.	Haunch Height	Safe Working Load lbs
BH-HFR-H		3,500
BH-HFR-HW		3,500
BH-HRH-H #1	3/8"	3,000
BH-HRH-H #2	1"	3,000
BH-HRH-H #3	1-1/2"	3,000
BH-HRH-HW		3,000

-SWL provides a safety factor of approximately 2 to 1.

-CAUTION: Care must be taken when welding a hanger.